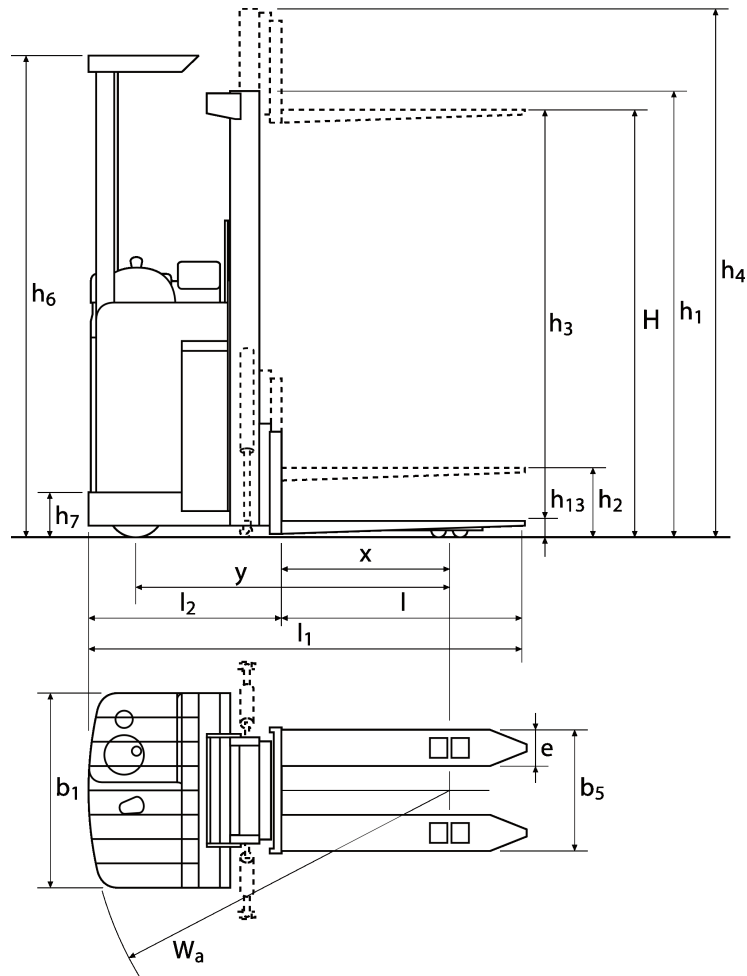




STAND-ON STACKER

ERGO AJN 160SDTFV

Compact dimensions and outstanding manoeuvrability for stacking/transport in warehouses and production plants. Wide range of options. This stacker is the most ergonomically developed stand-on stacker on the market.



Mast type	Lift height H	Height of mast lowered h1	Max mast height h4
Standard/Duplex			
Triplex	4350	2000	4862
	4800	2150	5312
	5400	2350	5912
	5700	2450	6212
	6300	2650	6812

Distinguishing mark	0 Specification			ERGO AJN 160SDTFV	
		1.2	Manufacturer's type designation		
	1.3	Drive: electric (battery or mains), diesel, petrol, fuel gas		Electric	
	1.4	Operator type: hand, pedestrian, standing, seated, order-picker		Standing	
	1.5	Load capacity/rated load	Q	t	1,6
	1.6	Load centre distance	c	mm	600
	1.8	Load distance, centre of load axle to fork	X		650 / 800
	1.9	Wheelbase	y	mm	1520
Weight	2.1	Service weight incl battery		kg	1300
	2.2	Axle load, with load, front/rear		kg	
	2.3	Axle load, without load, front / rear		kg	1250/1870
	2.4	Axle load, fork outreached with load, front / rear		kg	1050/400
	2.5	Axle load, fork retracted with load, front / rear		kg	
Tyres, chassis	3.1	Tyres			Rubber/Vulcollan
	3.2	Tyre size, drive side		mm	Ø 250x80
	3.3	Tyre size, load side		mm	Ø 85x70
	3.4	Dimensions additional wheels (castor wheels)		mm	Ø 150x60
	3.5	Wheels, number front/rear (drive side/load side, x = driven wheels)			1x 2/4
	3.6	Track, drive side	b10	mm	645
	3.7	Track, load side	b11	mm	390
Dimensions	4.1	Tilt of mast/fork carriage, forward/backward		Grad	
	4.2	Height, mast lowered	h1	mm	See table
	4.3	Free lift	h2	mm	h1 - 480
	4.4	Lift height H = h13+h3	H	mm	See table
	4.5	Height, mast extended	h4	mm	See table
	4.6	Straddle lift	h5	mm	110 Option
	4.7	Height of overhead guard (cabin)	h6	mm	2310
	4.8	Seat height/stand height	h7	mm	230
	4.10	Height of wheel arms	h8	mm	80
	4.11	Additional lift	h9	mm	
	4.14	Stand height, elevated	h12	mm	
	4.15	Height lowered	h13	mm	89
	4.19	Overall length	l1	mm	2065
	4.20	Length to face of forks	l2	mm	915
	4.21	Overall width	b1	mm	940
	4.21.1	Width over stabilizers		mm	1415 Option
	4.22	Fork dimensions	s/e/l	mm	70 / 170 / 1150
	4.23	Fork carriage to ISO 2328, clas / form A, B			
	4.24	Width of fork carriage	b3	mm	
	4.25	Width over forks, min/max	b5	mm	560
	4.26	Distance between wheel arms	b4	mm	265
	4.27	Width across guide rolls	b6	mm	
	4.28	Reach distance	l4	mm	
	4.29	Reach lateral	b7	mm	
	4.30	Reach lateral from vehicle centerline	b8	mm	
	4.31	Ground clearance, mast	m1	mm	
	4.32	Ground clearance, centre of wheelbase	m2	mm	
	4.33	Aisle width with pallet 1000 x 1200, crosswise	Ast	mm	
	4.34	Aisle width for pallet 800 x 1200, lengthwise	Ast	mm	2484
		Transfer aisle	0	mm	
	4.35	Turning radius	Wa	mm	1718
	4.37	Length incl reach legs	l7	mm	
	4.38	Distance to swivelling-fork pivot	0	mm	
Performance data	5.1	Travel speed, with/without load		km/h	8/8 - 9/10
	5.1.1	Travel speed with/without load, backwards		km/h	
	5.2	Lift speed, with/without load		m/s	0,14/0,19 - 0,15/0,27
	5.3	Lowering speed, with/without load		m/s	0,60 / 0,30
	5.4	Reach speed, with / without load		m/s	
	5.7	Gradient, with/without load		%	7
	5.8	Max gradeability, with / without load, 5 min rating		%	
	5.9	Acceleration time 0-10 m, with/without load		s	
	5.10	Service brake: electric, hydraulic			Electric
	5.10.1	Parking brake: electric, hydraulic			Mechanic
Electric engine	6.1	Drive motor, rating S2 60 min		kW	2,4 AC
	6.2	Lift motor		kW	3,5 / 4,5
	6.3	Battery according to DIN 43531/35/36	A,B,C		
	6.4	Battery voltage / Battery capacity		V/Ah	24 / 240-465
	6.5	Battery weight		kg	400
	6.6	Power consumption according to VDI cycle		kWh/h	
Additional data	8.1	Speed regulation			Transistor
	10.1	Operating pressure attachments		bar	175
	10.2	Oil flow for attachments		l/min	
	10.7	Noise level at operator's ear, according to EN 12 053		db(A)	

* Varies according to battery size

All rights reserved to change above specification